

- ▶ Front panel mounting
- ▶ Clear diameter 28mm
- ▶ ON-delay
- ▶ 1 time range
- ▶ Transistor output



Technical data

1. Functions

E ON delay

2. Time ranges

Time range	Adjustment range	
1s	100ms	1s (SRE2 1s)
10s	1s	10s (SRE2 10s)
1min	6s	1min (SRE2 1min)
10min	1min	10min (SRE2 10min)
1h	6min	1h (SRE2 1h)

3. Indicators

Green LED ON: indication of supply voltage
 Yellow LED ON/OFF: indication of relay output

4. Mechanical design

Self-extinguishing housing, IP rating IP64 (frontside)
 Mounted in front panel aperture clear diameter 22.5mm by means of retaining clip (included) according to DIN 43700
 Mounting position: any
 Shockproof terminal connection according to VBG 4
 IP rating IP10
 Initial torque: max. 1.0Nm
 Terminal capacity:
 1 x 0.5 bis 1.0mm² with/without multicore cable end

5. Input circuit

Supply voltage: 24V DC terminals 2(+)-3
 Tolerance: ±15%
 Rated frequency: -
 Rated consumption: 0.25W
 Duration of operation: 100%
 Reset time: 20ms
 Residual ripple for DC: 10%
 Drop-out voltage: -

6. Output circuit

1 transistor
 Switching capacity: 6W (200mA / 30V)
 Fusing: overcurrent protection included
 Mechanical life: -
 Electrical life: -
 Switching frequency: -
 Insulation voltage: 250V AC (according to IEC 664-1)
 Surge voltage: 4kV, overvoltage category III (according to IEC 664-1)
 Rest current: <0.1mA
 Voltage drop: ≤3V

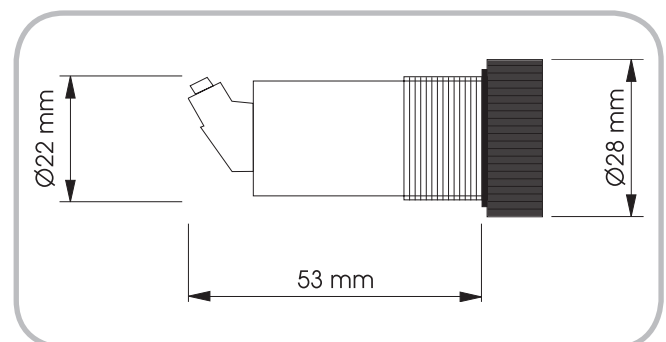
7. Accuracy

Base accuracy: ±5% (of maximum scale value)
 Adjustment accuracy: ≤8% (of maximum scale value)
 Repetition accuracy: ≤0.5%
 Voltage influence: -
 Temperature influence: ≤0.1% / °C

8. Ambient conditions

Ambient temperature: -25 to +55°C (according to IEC 68-1)
 Storage temperature: -25 to +65°C
 Transport temperature: -25 to +65°C
 Relative humidity: 15% to 85% (according to IEC 721-3-3 class 3K3)
 Pollution degree: 3 (according to IEC 664-1)

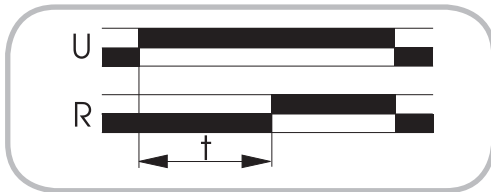
9. Dimensions



► Functions

ON delay (E)

When the supply voltage U is applied (green LED illuminated), the set interval t begins. After the interval t has expired, the transistor output connects through (yellow LED illuminated). This status remains until the supply voltage is interrupted. If the supply voltage is interrupted before the expiry of the interval t , the interval already expired is erased and is restarted when the supply voltage is next applied.



► Connections

