



C.C.E.A. s.r.l
 Via Piave, 2
 36077 Altavilla Vicentina (VI) - Italy
 Tel. ++39 0444 572083
 Fax. ++39 0444 572337
 E-mail: ccea@ccealights.com
 www.ccealights.com

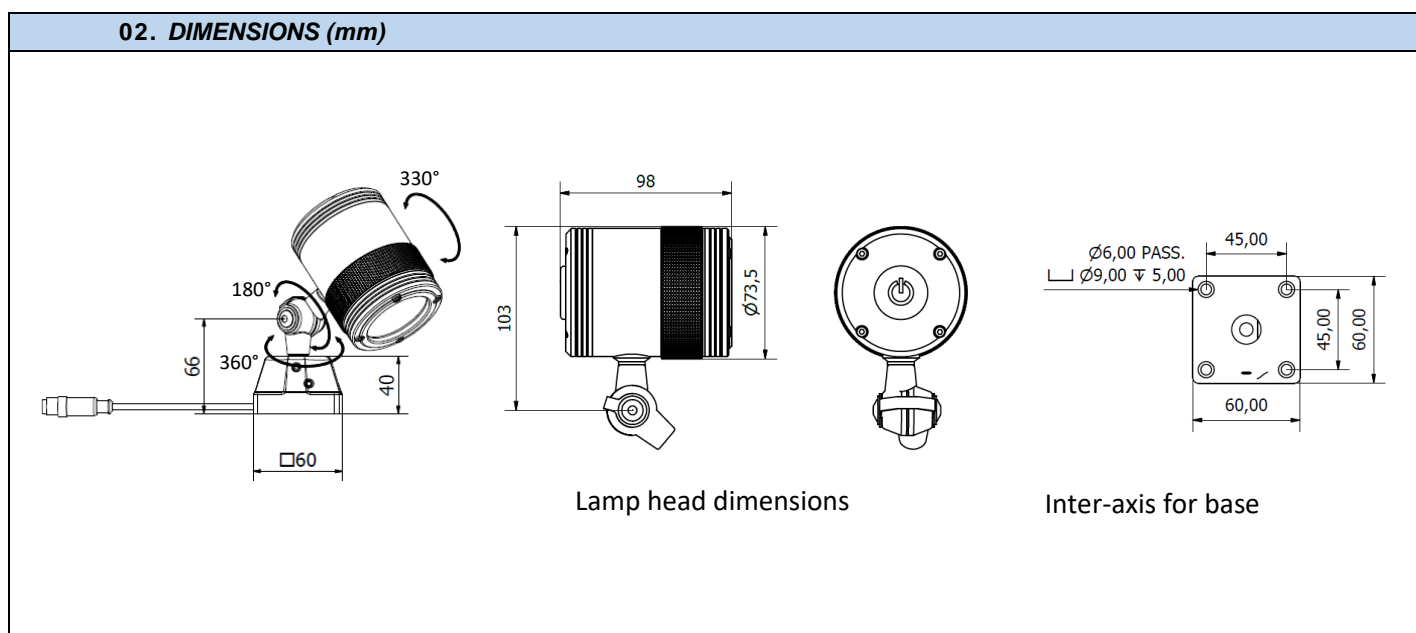


Compact LED lamp. Ideal for work stations and manual machine tools such as cutters, lathes and drills. The exceptionally flexible arm allows you to orient the lamp at will. Available in variants with 3/6 Power LEDs, with a 40° concentration lens.

Dimmable with touch control.

- 3/6 Power LED light source
- Light color 5000K
- 24Vdc Power Supply
- Dimmable with touch system (only BF2 version)
- 40° concentration lens
- Connection with M12-A 3pin connector
- Available with external plug-in power supply for 100-240Vac power supply

01. MECHANICAL FEATURES				
Model	SR0321BC1	SR0321BC2	SR0621BC1	SR0621BC2
N° LED	3	3	6	6
On/Off Switch	without	with	without	with
Casing Material	Aluminum			
Surface Treatment	Standard: 10 microns of black solution oxidation			
Lamp base material	PA66 GF30 black			
Front Glass	0.16in (4mm) thick tempered glass			
Internal Optics	40° Plexiglass (PMMA)			
Protection Index	IP67			
Impact Resistance	IK06			
Fixture	Standard with M5 screws Metal clamp cod. CLAMP.04 (to be ordered separately) Magnetic Base cod. B02 (to be ordered separately)			
Peso	~ 0,85Kg			





C.C.E.A. s.r.l
 Via Piave, 2
 36077 Altavilla Vicentina (VI) - Italy
 Tel. ++39 0444 572083
 Fax. ++39 0444 572337
 E-mail: ccea@ccealights.com
 www.ccealights.com



03. ELECTRICAL FEATURES				
Model	SR0321BC1	SR0321BC2	SR0621BC1	SR0621BC2
Power Usage	6W (@500mA)		12W (500mA)	
Power supply	24VDC		24VDC	
Current	0,27A		0,4A	
On/off switch	Without	On/off dimmer	Without	On/off dimmer
Electrical protection	Lamp protected against momentary polarity reversal			
Wiring	PUR Standard power cable - G3 (0.34mm ² Ø ~ 0.18in (4.5mm) L=.9.19ft (2.8m)			
Connection	M12-A 3P connector (M) on the lamp: pin1 → +24Vdc / pin3 → 0VDC / pin4 → not connected			

04. WIRING DIAGRAM			
M12-A 3P connector male on lamp	Pin	Wire	Connection
	1	Brown	24VDC
	3	Blue	0VDC
	4	Black	Not connected

05. OPTICAL FEATURES							
Model	N° and Type LED	LED Lifespan	Light color	CRI	Light Beam Angle	Luminous FLux	Efficiency
SR0321BC1 SR0321BC2	3x POWER LED	L70 **	5000K	80	~ 40°	450 lm	75 lm/W
SR0621BC1 SR0621BC2	6X POWER LED	L70 **	5000K	80	~ 40°	630 lm	52 lm/W

** Flow beam reduced by less than 30% after 60.000 hours

06. PHOTOMETRIC CURVE AND ISOLINE		
Photometric Curve	SR0321BC1/SR0321BC2 isolinee H.1m	SR0621BC1/SR0621BC2 isolinee H.1m



C.C.E.A. s.r.l
 Via Piave, 2
 36077 Altavilla Vicentina (VI) - Italy
 Tel. ++39 0444 572083
 Fax. ++39 0444 572337
 E-mail: ccea@ccealights.com
 www.ccealights.com



07. GENERAL FEATURES	
Operating temperature	+23°F (-5°C) to +131°F (+ 55°C)
Energy Efficiency Class	A/A+/A++ (Integrated LED module) compliant with UE Law No. 874/2012
Insulation Class	Class III

08. MOUNTING ACCESSORIES (ordered separately)

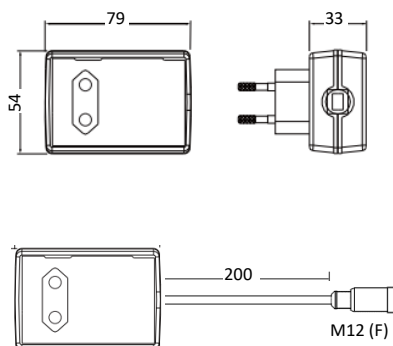
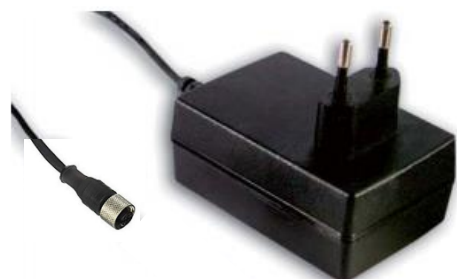


cod. **CLAMP.04**
 Metallic clamp



cod. **B02**
 Metallic magnetic base
 Dimensions 60x60x15mm

09. EXTERNAL AC/DC POWER SUPPLY 100-240Vac



cod. **SR.230.18W**

Driver AC/DC
 Vin: 100-240Vac
 Vout: 24Vdc
 P: 18W
 L. cable / connector: 0.2m
 Plug: Euro 2P

With M12-A 3P (F) connector
 pin 1 → +24Vdc
 pin 3 → 0Vdc
 pin 4 → not connected

10. ORDERING CODES

Codes	Type	N° LED	Watt	Power Supply	Light Color	On/Off Switch	Connection
SR0321BC01	Compact lamp	3	6W	24VDC	5000K	Without	M12 3P (M)
SR0321BC02	Compact lamp	3	6W	24VDC	5000K	On/off dimmer	M12 3P (M)
SR0621BC01	Compact lamp	6	12W	24VDC	5000K	Without	M12 3P (M)
SR0621BC02	Compact lamp	6	12W	24VDC	5000K	On/off dimmer	M12 3P (M)
SR.230.18W	Driver 100-240VAC/24VDC 18W euro plug						