

LED Beacon 801 / Accessories

**Base for surface mounting BK**

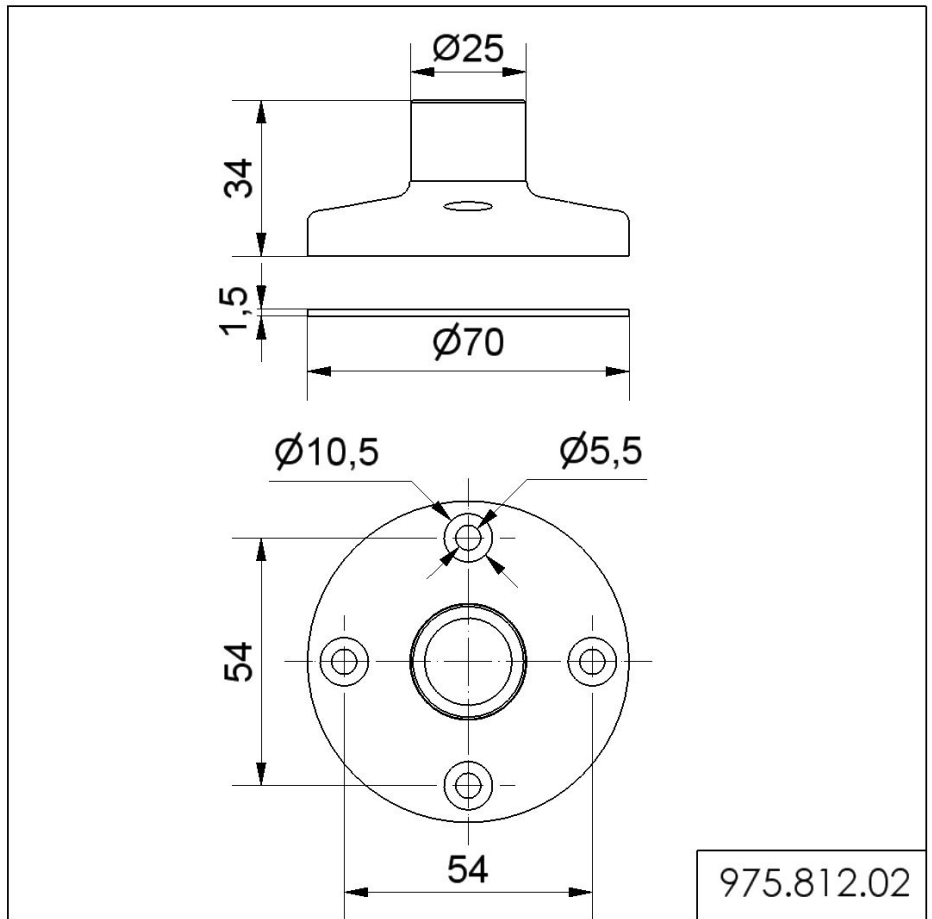


**Part No.:** 975.812.02

**MECHANICAL DATA**

Height	34 mm
Diameter	70 mm
Materials	PA-GF
Housing colour	Black
Weight with packaging	35 g
Product weight	35 g

**DRAWING**



! For additional installation and mounting information, refer to the appropriate user guide at [www.werma.com](http://www.werma.com). This printed copy is for information only and is subject to alteration.