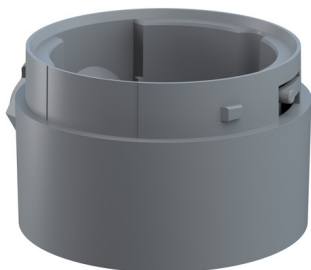


EvoSIGNAL / EvoSIGNAL Accessories

## Midi Adaptador Rosca de cable GY



Part No.: 261.700.02



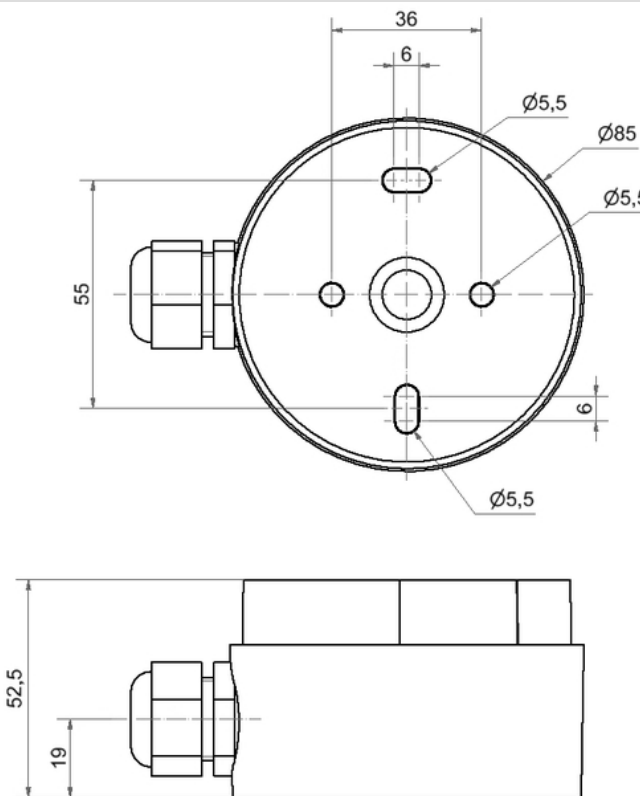
### MECHANICAL DATA

Height	53 mm
Diameter	85 mm
Materials	PC/ABS
Housing colour	Gray
Protection category	IP66
Cable entry	Screwed cable gland
Cable entry minimum	d = 8 mm
Cable entry maximum	d = 12 mm
Tension relief	Present (conforms to VDI)
Type of fixing	Base mounting
Working temperature minimum	-30°C
Working temperature maximum	+60°C
Weight with packaging	108 g
Product weight	98 g

### ELECTRICAL DATA

Pollution degree	3
------------------	---

### DRAWING



! For additional installation and mounting information, refer to the appropriate user guide at [www.werma.com](http://www.werma.com). This printed copy is for information only and is subject to alteration.