

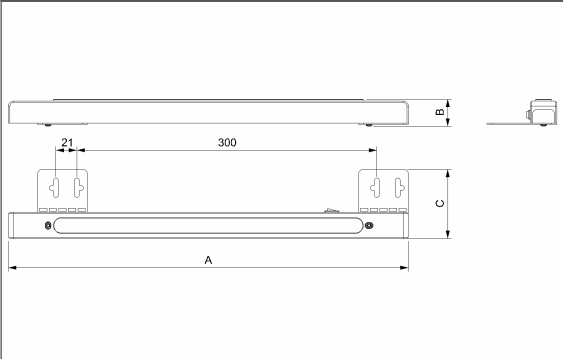
**"CLG-L" LED LAMP**

Description: **Led Lamp for inside enclosures**



**Type of material:** casing in PC/ABS and diffuser in transparent polycarbonate  
**Appliance class:** class II  
**Electrical connection:** bipolar cable L= 1800mm with terminal bushing  
**Protection degree:** IP20  
**Storage temperature:** from -10°C to +70°C  
**Operating temperature:** from -0°C to +50°C  
**Lifetime L10 at 40°C:** 20,000h  
**Lum. Flux:** 416 lm  
**Led:** 0.5 W/led; 35 lm/led  
**Ballast:** electronic incorporated  
**Switch:** ON/OFF  
**Approvals:** CE

**technical drawing**



| Model    | Rated Voltage | Frequency | Watt | Dimensions (mm) |    |    | Weight | Led  |       |
|----------|---------------|-----------|------|-----------------|----|----|--------|------|-------|
|          | (V)           |           |      | A               | B  | C  |        | (Kg) | N.    |
| CLG-L307 | 115-230V a.c. | 50/60     | 7    | 400             | 28 | 70 | 0.200  | 12   | White |