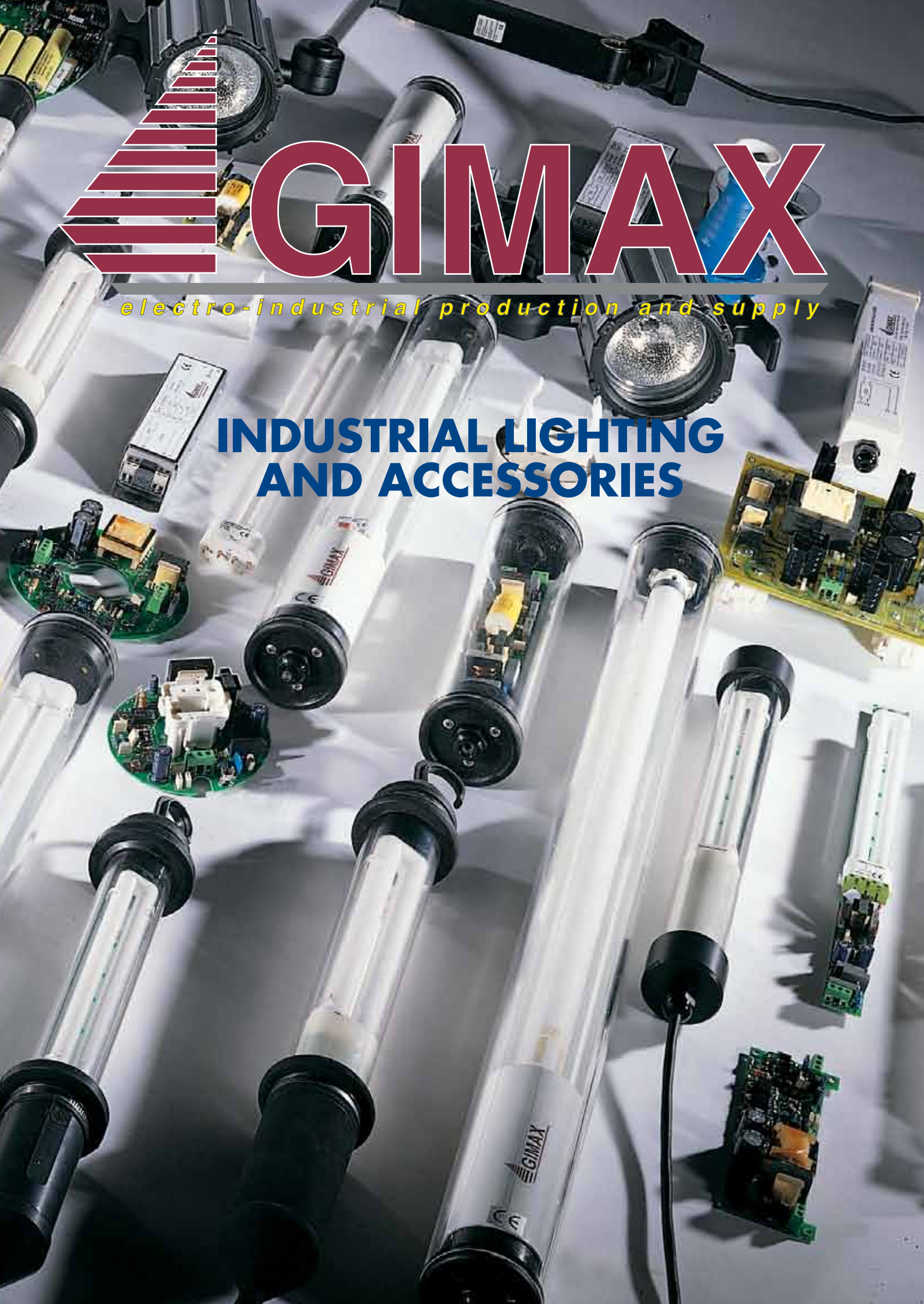


The logo consists of a stylized 'E' made of horizontal lines of varying lengths, creating a sense of depth and movement. It is positioned to the left of the brand name.

GIMAX

electro-industrial production and supply

INDUSTRIAL LIGHTING AND ACCESSORIES



General Information

TUBE LAMP IN METHACRYLATE

Incomparable features of transparency and brightness. Excellent resistance to every kind of climate, to atmospheric and to ageing elements; it does not turn yellow, it does not corrode, it does not deteriorate; it has a high rigidity and a dimensional stability. Excellent chemical resistance to a great part of substances of common use such as alkalines and weak acids, different types of ink, cosmetics and aliphatic hydrocarbons (oils and fats). Maximum continuous working temperature 85-90°C.

The raw materials, used to make these tubes, undergo rigid and constant tests in their physical-mechanical characteristics in order to guarantee the qualitative standard and have an European Quality Certificate. Thickness of the tube 5 mm and external diameter 60mm and 70 mm.

TUBE LAMP IN BOROSILICATE GLASS

Tube in borosilicate glass PY with a very high chemical and mechanical resistance.

Maximum short term working temperature 500°C. Thermal shock DIN 52323 at 250°C.

Thermal dilatation (@20:300°C) $3,25 \times 10^{-6}$ x K according to DIN 52328.

Hydrolytic resistance according to ISO R719: class 1. Acids resistance DIN 12116: class 1.

Alkali resistance DIN 52322: class 2. Ovalization according to DIN 7184.

Thickness of the tube 5 mm and external diameter 60mm and 70 mm. (+/- 1,5 mm.).

TUBE LAMP IN POLYCARBONATE

Incomparable features of transparency and brightness. Excellent resistance against impacts, practically unbreakable. Excellent chemical resistance against mineral acids with medium concentration, against alcohols except for methyl alcohol, aliphatic hydrocarbons (oils and fats). Maximum working temperature can slightly change, depending on the type of material and unfinished products; for continuous use one should not exceed 135 °C. The raw materials, used to make these tubes, undergo rigid and constant tests in their physical-mechanical characteristics in order to guarantee their qualitative standard and have an European Quality Certificate. Thickness of the tube 1,5 mm and external diameter 50mm, 43mm and 40mm.

SIDE-LOCK ELEMENTS FOR TAROPLAST LAMP

The side-locks are made with TAROPLAST (Taromid A 280 MT6) 6,6 filled at 50% reinforced with fiberglass (PA6,6+50%F.V.) in order to guarantee an excellent mechanic resistance to traction, compression and bending stress; They have anti-oil rubber gaskets (or O-Rings), in order to guarantee the watertight insulation of the lamp.

On one of the locks there is a wire-gland with an anti-ripping device called skintop PG9 and PG11 with gasket (or O-Ring) for the watertight isolation with protection degree IP68 (according to IEC 529 and CEI 70-1 laws).

SIDE-LOCK ELEMENTS FOR LAMPS IN BUTYL RUBBER

The rubber side-locks are known for their considerable resistance to acids, oils, petrols and industrial solvents, but has also an excellent ageing resistance. Self-extinguishing. The heat-variations and the related use at different temperatures (from -40° to +130°) do not harm their basic features. Excellent mechanic resistance to traction, compression and bending stress.

METALLIC BRACKETS FOR LAMPS WITH 70mm DIAMETER

Galvanized steel supporting brackets for lamps with 70mm diameter with screw-tightening device.

The part which is in contact with the tube is covered by a strip resistant to oils, acids and industrial solvents and thanks to its high elasticity it is able to cushion any vibrations of the machines on which the lamp is installed.

NYLON BRACKETS AND COLLARS FOR LAMPS FROM 40mm DIAMETER TO 70mm

Polypropylene supporting brackets for lamps with diameter 70/60/50/43 and 40mm.

Excellent chemical resistance against inorganic acids and alkaline solutions and limited resistance

against acetone, organic acids, gasoline, benzol, diesel oil and main oils. Temperature resistance from 40°C to +90°C.

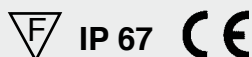
ELECTRONIC AND ELECTROMECHANICAL BALLASTS

Electronic ballast with high frequencies and with digital switching control. Power stadium with Power Mosfet. Protected against output short-circuits, idling, straightening effect and exhaustion of the tube. Complying with the European laws **EN 55015 (Radionoisies)**, **EN 60928 (Safety)**, **EN 61547 (Immunity)**, **EN 61000-3-2 (Harmonic Suppression)**, **EN 61000-3-3 (Flicker)**.

Electromechanic ballast with low dribble and significant magnetic saturation, that enables a lower selfheating of the ballast and it counterbalances the unfavourable thermal conditions of the lighting devices. Vacuum polyester resin. Complying with the European laws **EN 60920 (Safety)**, **EN 60921 (Performances)**.

NEWS SHORTER DIMENSIONS NEW TECHNOLOGY

- Tube lamp in methacrylate or borosilicate glass diameter 70mm
- Watertight side locks with protection degree IP67 (IEC 529, IEC 144 and CEI 70-1)
- Supporting brackets (to order separately)
- Painted aluminium reflecting slide
- Electronic or electromechanic ballast (specify)
- Fluorescent tubes type dulux and Linear Osram or equivalent
- PM20 wire-gland with anti-ripping device
- Manufactured according the regulations CEI 34-21 and CEI 34-34



LAMP WITH TUBE IN METHACRYLATE DIAMETER 70 mm WITH ELECTRONIC BALLAST

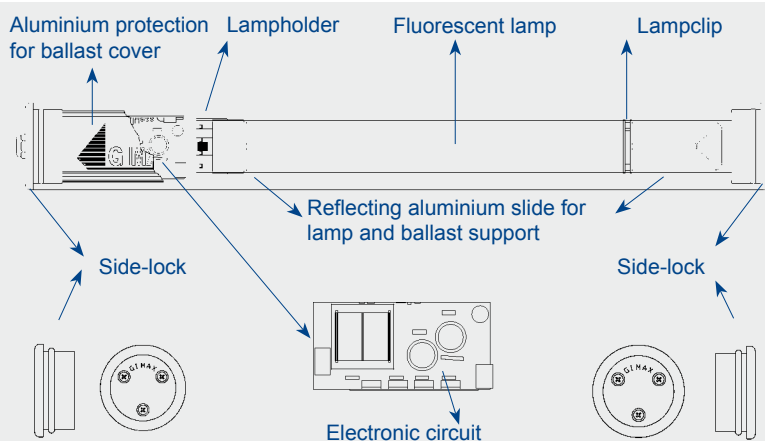
Item	Power W	Tens. V	Lumin.Fl. lm	Length. mm	Lamp type.
BDBM18240	18	24	1200	410	Dulux L
BDBM24240	24	24	1800	515	Dulux L
BDBM36240	36	24	2900	605	Dulux L
BDBM55240	55	24	4800	730	Dulux L
BDBM18220	18	230	1200	410	Dulux L
BDBM24220	24	230	1800	515	Dulux L
BDBM36220	36	230	2900	605	Dulux L
BDBM55220	55	230	4800	730	Dulux L
BDBM18240L	18	24	1350	815	Linear
BDBM36240L	36	24	3350	1425	Linear
BDBM58240L	58	24	5200	1725	Linear
BDBM18220L	18	230	1350	815	Linear
BDBM36220L	36	230	3350	1425	Linear
BDBM58220L	58	230	5200	1725	Linear

LAMP WITH TUBE IN BOROSILICATE GLASS DIAMETER 70 mm WITH ELECTRONIC BALLAST

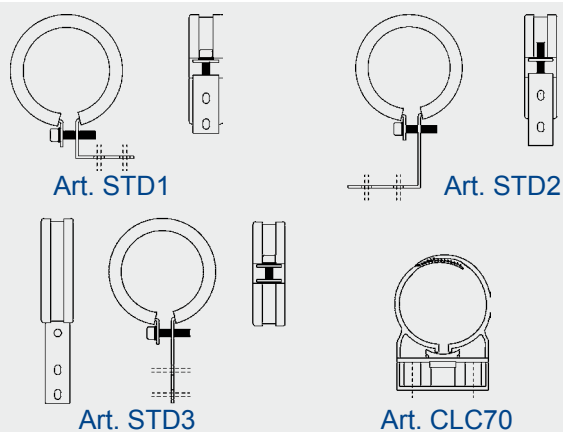
Item	Power W	Tens. V	Lumin.Fl. lm	Length. mm	Lamp type.
BDBB18240	18	24	1200	410	Dulux L
BDBB24240	24	24	1800	515	Dulux L
BDBB36240	36	24	2900	605	Dulux L
BDBB55240	55	24	4800	730	Dulux L
BDBB18220	18	230	1200	410	Dulux L
BDBB24220	24	230	1800	515	Dulux L
BDBB36220	36	230	2900	605	Dulux L
BDBB55220	55	230	4800	730	Dulux L
BDBB18240L	18	24	1350	815	Linear
BDBB36240L	36	24	3350	1425	Linear
BDBB58240L	58	24	5200	1725	Linear
BDBB18220L	18	230	1350	815	Linear
BDBB36220L	36	230	3350	1425	Linear
BDBB58220L	58	230	5200	1725	Linear

N.B.: Other voltages, lamp powers and connection types on request

LAMP SECTIONING

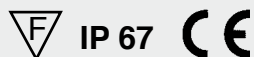


SUPPORTING BRACKETS



For descriptions and sizes see pages 10 and 11

- Tube lamp in methacrylate or borosilicate glass diameter 70mm
- Watertight side-locks with protection degree IP67 (IEC 529, IEC 144 and CEI 70-1)
- Supporting brackets (to order separately)
- Painted aluminium reflecting slide
- Electronic or electromechanic ballast (specify)
- Fluorescent tubes type dulux and Linear Osram or equivalent
- PM20 wire-gland with anti-ripping device
- Manufactured according the regulations CEI 34-21 and CEI 34-34



LAMP WITH TUBE IN METHACRYLATE DIAMETER 70mm WITH ELECTRONIC BALLAST

WITH INCORPORATED ELECTRONIC BALLAST

Item	Power W	Tens. V	Lumin. Fl. lm	Length. mm	Lamp type
BDMM18240	18	24	1200	505	Dulux L
BDMM24240	24	24	1800	605	Dulux L
BDMM36240	36	24	2900	700	Dulux L
BDMM55240	55	24	4800	825	Dulux L
BDMM18220	18	230	1200	505	Dulux L
BDMM24220	24	230	1800	605	Dulux L
BDMM36220	36	230	2900	700	Dulux L
BDMM55220	55	230	4800	825	Dulux L
BDMM18240L	18	24	1350	880	Linear
BDMM36240L	36	24	3350	1490	Linear
BDMM58240L	58	24	5200	1790	Linear
BDMM18220L	18	230	1350	880	Linear
BDMM36220L	36	230	3350	1490	Linear
BDMM58220L	58	230	5200	1790	Linear

WITH SEPARATE ELECTRONIC BALLAST

Item	Length. mm	Ballast in metal box	Ballast in IP67 watertight tube
BDMM18000	365	E18D024S1	E18D024S3
BDMM24000	470	E24D024S1	E24D024S3
BDMM36000	560	E36D024S1	E36D024S3
BDMM55000	685	E55D024S1	E55D024S3
BDMM18000	365	E18D230S1	E18D230S3
BDMM24000	470	E24D230S1	E24D230S3
BDMM36000	560	E36D230S1	E36D230S3
BDMM55000	685	E55D230S1	E55D230S3
BDMM18000L	765	E18L024S1	E18L024S3
BDMM36000L	1375	E36L024S1	E36L024S3
BDMM58000L	1675	E58L024S1	E58L024S3
BDMM18000L	765	E18L230S1	E18L230S3
BDMM36000L	1375	E36L230S1	E36L230S3
BDMM58000L	1675	E58L230S1	E58L230S3

LAMP WITH TUBE IN METHACRYLATE TUBE DIAMETER 70mm WITH ELECTROMECHANIC BALLAST

WITH INCORPORATED ELECTROMECHANIC BALLAST

Item	Power W	Tens. V	Lumin. Fl. lm	Length. mm	Lamp type
BDMM18220M	18	230	1200	580	Dulux L
BDMM24220M	24	230	1800	680	Dulux L
BDMM36220M	36	230	2900	775	Dulux L
BDMM18220LM	18	230	1350	980	Linear
BDMM36220LM	36	230	3350	1585	Linear
BDMM58220LM	58	230	5200	1970	Linear

WITH SEPARATE ELECTROMECHANIC BALLAST

Item	Length. mm	Electromechanic ballast kit	Ballast in IP67 watertight tube
BDMM18000	365	M18D230	M18D230S3
BDMM24000	470	M24D230	M24D230S3
BDMM36000	560	M36D230	M36D230S3
BDMM18000L	765	M18L230	M18L230S3
BDMM36000L	1375	M36L230	M36L230S3
BDMM58000L	1675	M58L230	M58L230S3

N.B.: Other voltages (only for electronic type), lamp powers and connection types on request

LAMP WITH TUBE IN BOROSILICATE GLASS DIAMETER 70mm WITH ELECTRONIC BALLAST

WITH INCORPORATED ELECTRONIC BALLAST

Item	Power W	Tens. V	Lumin. Fl. lm	Length. mm	Lamp type
BDMB18240	18	24	1200	505	Dulux L
BDMB24240	24	24	1800	605	Dulux L
BDMB36240	36	24	2900	700	Dulux L
BDMB55240	55	24	4800	825	Dulux L
BDMB18220	18	230	1200	505	Dulux L
BDMB24220	24	230	1800	605	Dulux L
BDMB36220	36	230	2900	700	Dulux L
BDMB55220	55	230	4800	825	Dulux L
BDMB18240L	18	24	1350	880	Linear
BDMB36240L	36	24	3350	1490	Linear
BDMB58240L	58	24	5200	1790	Linear
BDMB18220L	18	230	1350	880	Linear
BDMB36220L	36	230	3350	1490	Linear
BDMB58220L	58	230	5200	1790	Linear

WITH SEPARATE ELECTRONIC BALLAST

Item	Length. mm	Ballast in metal box	Ballast in IP67 watertight tube
BDMB18000	365	E18D024S1	E18D024S5
BDMB24000	470	E24D024S1	E24D024S5
BDMB36000	560	E36D024S1	E36D024S5
BDMB55000	685	E55D024S1	E55D024S5
BDMB18000	365	E18D230S1	E18D230S5
BDMB24000	470	E24D230S1	E24D230S5
BDMB36000	560	E36D230S1	E36D230S5
BDMB55000	685	E55D230S1	E55D230S5
BDMB18000L	765	E18L024S1	E18L024S5
BDMB36000L	1375	E36L024S1	E36L024S5
BDMB58000L	1675	E58L024S1	E58L024S5
BDMB18000L	765	E18L230S1	E18L230S5
BDMB36000L	1375	E36L230S1	E36L230S5
BDMB58000L	1675	E58L230S1	E58L230S5

LAMP WITH TUBE IN BOROSILICATE GLASS DIAMETER 70mm WITH ELECTROMECHANIC BALLAST

WITH INCORPORATED ELECTROMECHANIC BALLAST

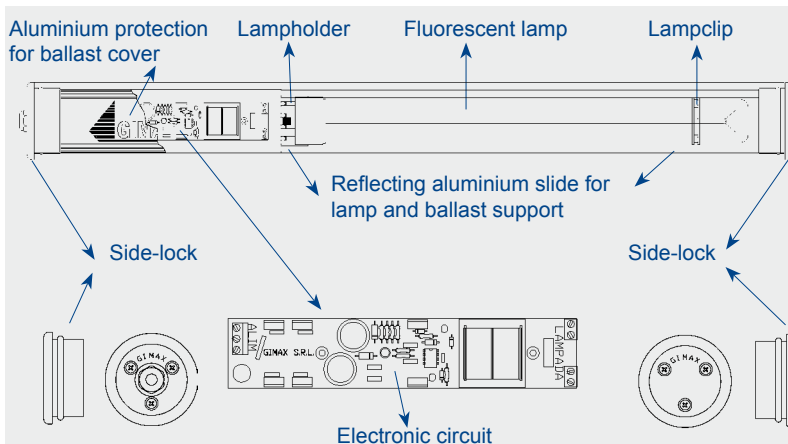
Item	Power W	Tens. V	Lumin. Fl. lm	Length. mm	Lamp type
BDMB18220M	18	230	1200	580	Dulux L
BDMB24220M	24	230	1800	680	Dulux L
BDMB36220M	36	230	2900	775	Dulux L
BDMB18220LM	18	230	1350	980	Linear
BDMB36220LM	36	230	3350	1585	Linear
BDMB58220LM	58	230	5200	1970	Linear

WITH SEPARATE ELECTROMECHANIC BALLAST

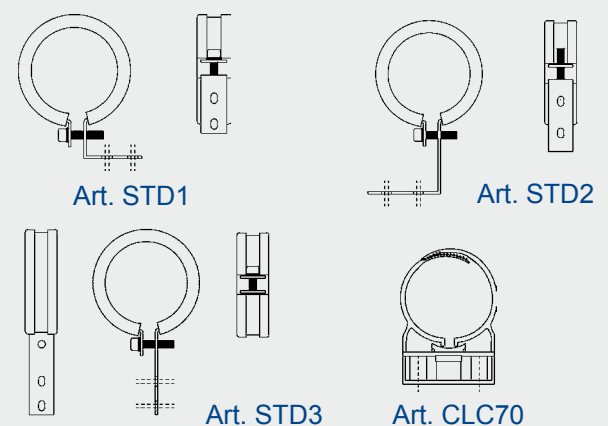
Item	Length. mm	Electromechanic ballast kit	Ballast in IP67 watertight tube
BDMB18000	365	M18D230	M18D230S5
BDMB24000	470	M24D230	M24D230S5
BDMB36000	560	M36D230	M36D230S5
BDMB18000L	765	M18L230	M18L230S5
BDMB36000L	1375	M36L230	M36L230S5
BDMB58000L	1675	M58L230	M58L230S5

N.B.: Other voltages (only for electronic type), lamp powers and connection types on request

LAMP SECTIONING

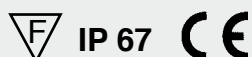


SUPPORTING BRACKETS



For descriptions and sizes see pages 10 and 11

- Tube lamp in methacrylate or borosilicate glass diameter 60mm
- Watertight side-locks IP67 (IEC 529, IEC144 and CEI 70-1)
- Supporting brackets (to order separately)
- Side-locks with incorporated fixing brackets (add "S" to the item)
- Painted aluminium reflecting slide
- Electronic or electromechanic ballast (specify)
- Fluorescent tubes type dulux and Linear Osram or equivalent
- PM16 wire-gland with anti-ripping device
- Manufactured according the regulations CEI 34-21 and CEI 34-34



LAMP WITH TUBE IN METHACRYLATE DIAMETER 60mm WITH ELECTRONIC BALLAST

WITH INCORPORATED ELECTRONIC BALLAST

Item	Power W	Tens. V	Lumin. Fl. lm	Length mm	Lamp type
BDSM18240	18	24	1200	495	Dulux L
BDSM24240	24	24	1800	595	Dulux L
BDSM36240	36	24	2900	690	Dulux L
BDSM55240	55	24	4800	815	Dulux L
BDSM18220	18	230	1200	495	Dulux L
BDSM24220	24	230	1800	595	Dulux L
BDSM36220	36	230	2900	690	Dulux L
BDSM55220	55	230	4800	815	Dulux L
BDSM18240L	18	24	1350	880	Linear
BDSM36240L	36	24	3350	1490	Linear
BDSM58240L	58	24	5200	1790	Linear
BDSM18220L	18	230	1350	880	Linear
BDSM36220L	36	230	3350	1490	Linear
BDSM58220L	58	230	5200	1790	Linear

WITH SEPARATED ELECTRONIC BALLAST

Item	Length. mm	Ballast in metal box	Ballast in IP67 watertight tube
BDSM18000	350	E18D024S1	E18D024S4
BDSM24000	455	E24D024S1	E24D024S4
BDSM36000	545	E36D024S1	E36D024S4
BDSM55000	670	E55D024S1	E55D024S4
BDSM18000	350	E18D230S1	E18D230S4
BDSM24000	455	E24D230S1	E24D230S4
BDSM36000	545	E36D230S1	E36D230S4
BDSM55000	670	E55D230S1	E55D230S4
BDSM18000L	755	E18L024S1	E18L024S4
BDSM36000L	1365	E36L024S1	E36L024S4
BDSM58000L	1665	E58L024S1	E58L024S4
BDSM18000L	755	E18L230S1	E18L230S4
BDSM36000L	1365	E36L230S1	E36L230S4
BDSM58000L	1665	E58L230S1	E58L230S4

LAMP WITH TUBE IN METHACRYLATE DIAMETER 60mm WITH ELECTROMECHANIC BALLAST

WITH INCORPORATED ELECTROMECHANIC BALLAST

Item	Power W	Tens. V	Lumin. Fl. lm	Length mm	Lamp type
BDSM18220M	18	230	1200	580	Dulux L
BDSM24220M	24	230	1800	680	Dulux L
BDSM36220M	36	230	2900	775	Dulux L
BDSM18220LM	18	230	1350	980	Linear
BDSM36220LM	36	230	3350	1585	Linear
BDSM58220LM	58	230	5200	1970	Linear

WITH SEPARATED ELECTRONIC BALLAST

Item	Length. mm	Electromechanic ballast kit	Ballast in IP67 watertight tube
BDSM18000	350	M18D230	M18D230S4
BDSM24000	455	M24D230	M24D230S4
BDSM36000	545	M36D230	M36D230S4
BDSM18000L	755	M18L230	M18L230S4
BDSM36000L	1365	M36L230	M36L230S4
BDSM58000L	1665	M58L230	M58L230S4

N.B.: Other voltages (only for electronic type), lamp powers and connection types on request

LAMP WITH TUBE IN BOROSILICATE GLASS DIAMETER 60mm WITH ELECTRONIC BALLAST

WITH INCORPORATED ELECTRONIC BALLAST

Item	Power W	Tens. V	Lumin. Fl. lm	Length. mm	Lamp type
BDSB18240	18	24	1200	495	Dulux L
BDSB24240	24	24	1800	595	Dulux L
BDSB36240	36	24	2900	690	Dulux L
BDSB55240	55	24	4800	815	Dulux L
BDSB18220	18	230	1200	495	Dulux L
BDSB24220	24	230	1800	595	Dulux L
BDSB36220	36	230	2900	690	Dulux L
BDSB55220	55	230	4800	815	Dulux L
BDSB18240L	18	24	1350	880	Linear
BDSB36240L	36	24	3350	1490	Linear
BDSB58240L	58	24	5200	1790	Linear
BDSB18220L	18	230	1350	880	Linear
BDSB36220L	36	230	3350	1490	Linear
BDSB58220L	58	230	5200	1790	Linear

WITH SEPARATED ELECTRONIC BALLAST

Item	Length. mm	Ballast in metal box	Ballast in IP67 watertight tube
BDSB18000	350	E18D024S1	E18D024S6
BDSB24000	455	E24D024S1	E24D024S6
BDSB36000	545	E36D024S1	E36D024S6
BDSB55000	670	E55D024S1	E55D024S6
BDSB18000	350	E18D230S1	E18D230S6
BDSB24000	455	E24D230S1	E24D230S6
BDSB36000	545	E36D230S1	E36D230S6
BDSB55000	670	E55D230S1	E55D230S6
BDSB18000L	755	E18L024S1	E18L024S6
BDSB36000L	1365	E36L024S1	E36L024S6
BDSB58000L	1665	E58L024S1	E58L024S6
BDSB18000L	755	E18L230S1	E18L230S6
BDSB36000L	1365	E36L230S1	E36L230S6
BDSB58000L	1665	E58L230S1	E58L230S6

LAMP WITH TUBE IN BOROSILICATE GLASS DIAMETER 60mm WITH ELECTROMECHANIC BALLAST

WITH INCORPORATED ELECTROMECHANIC BALLAST

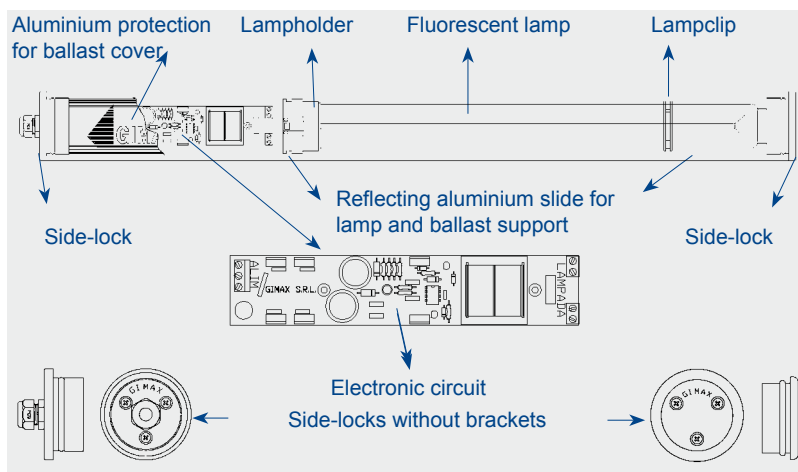
Item	Power W	Tens. V	Lumin. Fl. lm	Length. mm	Lamp type
BDSB18220M	18	230	1200	580	Dulux L
BDSB24220M	24	230	1800	680	Dulux L
BDSB36220M	36	230	2900	775	Dulux L
BDSB18220LM	18	230	1350	980	Linear
BDSB36220LM	36	230	3350	1585	Linear
BDSB58220LM	58	230	5200	1970	Linear

WITH SEPARATED ELECTROMECHANIC BALLAST

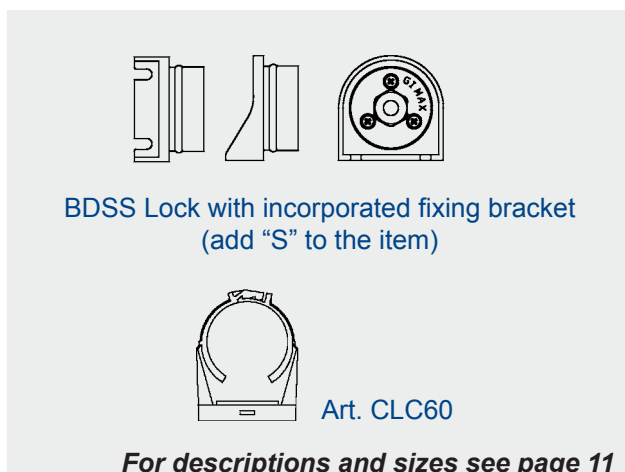
Item	Length. mm	Ballast in metal box	Ballast in IP67 watertight tube
BDSB18000	350	M18D230	M18D230S6
BDSB24000	455	M24D230	M24D230S6
BDSB36000	545	M36D230	M36D230S6
BDSB18000L	755	M18L230	M18L230S6
BDSB36000L	1365	M36L230	M36L230S6
BDSB58000L	1665	M58L230	M58L230S6

N.B.: Other voltages (only for electronic type), lamp powers and connection types on request

LAMP SECTIONING



SUPPORTING BRACKETS



- Tube lamp in polycarbonate diameter 50mm
- Watertight side-locks IP67 (IEC 529, IEC144 and CEI 70-1)
- Supporting brackets (to order separately)
- Reflecting aluminium slide
- Electronic or electromechanic ballast (specify)
- Fluorescent tubes type dulux and Linear Osram or equivalent
- PM16 wire-gland with anti-ripping device
- Manufactured according the regulations CEI 34-21 and CEI 34-34



LAMP WITH TUBE IN POLYCARBONATE DIAMETER 50 mm WITH ELECTRONIC BALLAST

WITH INCORPORATED ELECTRONIC BALLAST

Item	Power W	Tens. V	Lumin. Fl. lm	Length mm	Lamp type
BDTP18240	18	24	1200	460	Dulux L
BDTP24240	24	24	1800	615	Dulux L
BDTP36240	36	24	2900	705	Dulux L
BDTP55240	55	24	4800	825	Dulux L
BDTP18220	18	230	1200	460	Dulux L
BDTP24220	24	230	1800	615	Dulux L
BDTP36220	36	230	2900	705	Dulux L
BDTP55220	55	230	4800	825	Dulux L
BDTP18240L	18	24	1350	890	Linear
BDTP36240L	36	24	3350	1535	Linear
BDTP58240L	58	24	5200	1830	Linear
BDTP18220L	18	230	1350	890	Linear
BDTP36220L	36	230	3350	1535	Linear
BDTP58220L	58	230	5200	1830	Linear

WITH SEPARATED ELECTRONIC BALLAST

Item	Length. mm	Ballast in metal box	Ballast in IP67 watertight tube
BDTP18000	355	E18D024S1	E18D024S7
BDTP24000	465	E24D024S1	E24D024S7
BDTP36000	555	E36D024S1	E36D024S7
BDTP55000	680	E55D024S1	E55D024S7
BDTP18000	355	E18D230S1	E18D230S7
BDTP24000	465	E24D230S1	E24D230S7
BDTP36000	555	E36D230S1	E36D230S7
BDTP55000	680	E55D230S1	E55D230S7
BDTP18000L	745	E18L024S1	E18L024S7
BDTP36000L	1360	E36L024S1	E36L024S7
BDTP58000L	1660	E58L024S1	E58L024S7
BDTP18000L	745	E18L230S1	E18L230S7
BDTP36000L	1360	E36L230S1	E36L230S7
BDTP58000L	1660	E58L230S1	E58L230S7

LAMP WITH TUBE IN POLYCARBONATE DIAMETER 50mm WITH ELECTROMECHANIC BALLAST

WITH INCORPORATED ELECTROMECHANIC BALLAST

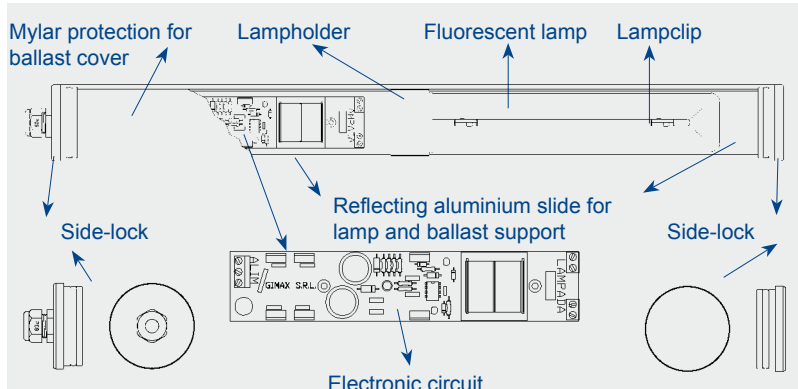
Item	Power W	Tens. V	Lumin. Fl. lm	Length mm	Lamp type
BDTP18220M	18	230	1200	575	Dulux L
BDTP24220M	24	230	1800	675	Dulux L
BDTP36220M	36	230	2900	770	Dulux L
BDTP18220LM	18	230	1350	960	Linear
BDTP36220LM	36	230	3350	1565	Linear
BDTP58220LM	58	230	5200	1955	Linear

WITH SEPARATED ELECTROMECHANIC BALLAST

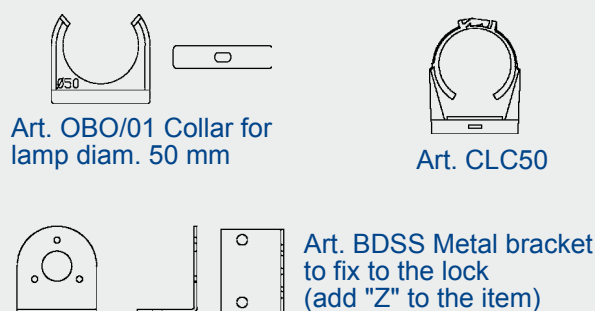
Item	Length. mm	Ballast in metal box	Ballast in IP67 watertight tube
BDTP18000	355	M18D230	M18D230S7
BDTP24000	465	M24D230	M24D230S7
BDTP36000	555	M36D230	M36D230S7
BDTP18000L	745	M18L230	M18L230S7
BDTP36000L	1360	M36L230	M36L230S7
BDTP58000L	1660	M58L230	M58L230S7

N.B.: Other voltages (only for electronic type), lamps powers and connection types on request

LAMP SECTIONING



SUPPORTING BRACKETS



For descriptions and sizes see page 11

- Tube lamp in polycarbonate diameter 43mm. and 40mm.
- Watertight side-locks with IP67 (IEC529, IEC144 and CEI 70-1)
- Supporting brackets (to order separately)
- Reflecting aluminium slide (series BDZ)
- Electronic ballast incorporated in the reflecting slide (series BDP)
- Fluorescent tubes type dulux and Linear FH Osram or equivalent
- PM16 wire-gland with anti-ripping device
- Manufactured according the regulations CEI 34-21 and CEI 34-34

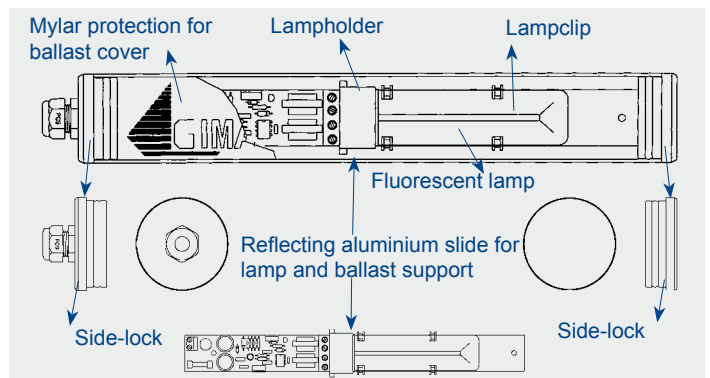


LAMP WITH TUBE IN POLYCARBONATE DIAMETER 43mm WITH ELECTRONIC BALLAST

WITH INCORPORATED ELECTRONIC BALLAST

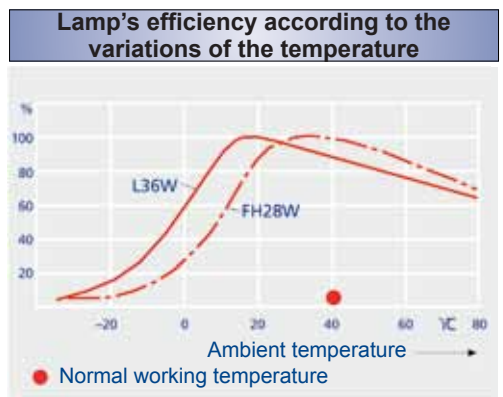
Item	Power W	Tens. V	Lumin. Fl. lm	Length mm	Lamp type
BDPP07240	7	24	400	270	Dulux SE
BDPP09240	9	24	600	300	Dulux SE
BDPP11240	11	24	900	370	Dulux SE
BDPP07220	72	30	400	270	Dulux SE
BDPP09220	92	30	600	300	Dulux SE
BDPP11220	11	230	900	370	Dulux SE

LAMP SECTIONING



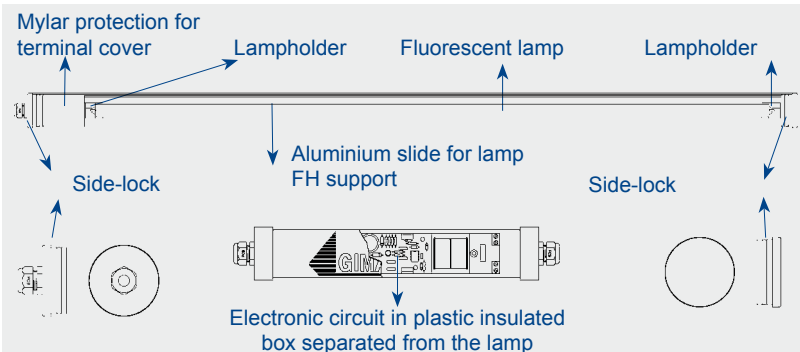
LAMP WITH TUBE IN POLYCARBONATE DIAMETER 40 mm WITH SPECIAL LINEAR FH FLUORESCENT TUBES WITH HIGH LUMINOUS RENDERING AND ELECTRONIC BALLAST IN INSULATED SEPARATED BOX

Item	Power W	Tens. V	Lumin. Fl. lm	Length mm	Lamp type	Ballast in insulated box
BDZP14000L	14	24	1350	665	FH	E14H024S2
BDZP21000L	21	24	2100	960	FH	E21H024S2
BDZP35000L	35	24	3550	1570	FH	E35H024S2
BDZP14000L	14	230	1350	665	FH	E14H230S2
BDZP21000L	21	230	2100	960	FH	E21H230S2
BDZP35000L	35	230	3550	1570	FH	E35H230S2



N.B.: Other voltages, lamp powers and connection types on request

LAMP SECTIONING



SUPPORTING BRACKETS

Art. OBO/02 PVC collar for lamp diam. 40 and 43 mm

Art. CLC43

Art. BDSS Metal bracket to fix to the lock (add "Z" to the item)

For descriptions and sizes see page 11

- Tube lamp in polycarbonate diameter 43mm or 50mm
- Side-locks in butyl rubber with IP55 (IEC 529, IEC 144 and CEI 70-1)
- Supporting collars (to order separately)
- Electronic ballast
- Fluorescent tubes type Dulux Osram or equivalent
- Ideal for fix or portable use on the inside of the power supply panel
- Manufactured according to the regulations CEI 34-21 and CEI 34-34



LAMP WITH TUBE IN POLYCARBONATE DIAMETER 43mm WITH INCORPORATED ELECTRONIC BALLAST

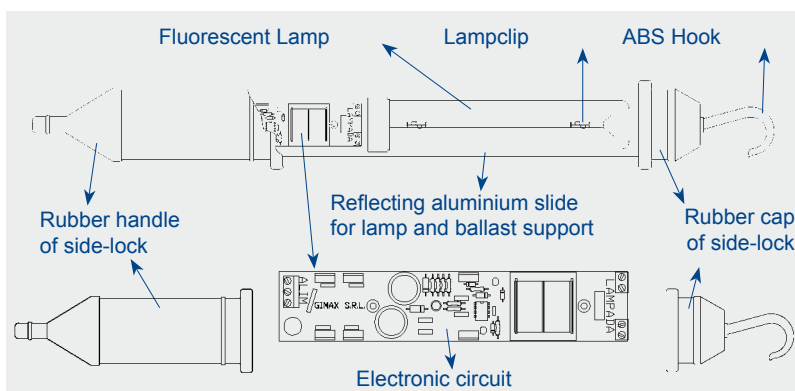
Item	Power W	Tens. V	Lumin. Fl. lm	Length. mm	Lamp type	Spiral Cable	Loose plug CEE 17 IP67
CPF0724S1S	7	24	400	340	Dulux SE	1 - 5 m	24V 16A 2P
CPF0924S1S	9	24	600	375	Dulux SE	1 - 5 m	24V 16A 2P
CPF1124S1S	11	24	900	435	Dulux SE	1 - 5 m	24V 16A 2P
CPF0722SAS	7	230	400	340	Dulux SE	1 - 5 m	230V 16A 2P + E
CPF0922SAS	9	230	600	375	Dulux SE	1 - 5 m	230V 16A 2P + E
CPF1122SAS	11	230	900	435	Dulux SE	1 - 5 m	230V 16A 2P + E

LAMP WITH TUBE IN POLYCARBONATE DIAMETER 50mm WITH INCORPORATED ELECTRONIC BALLAST

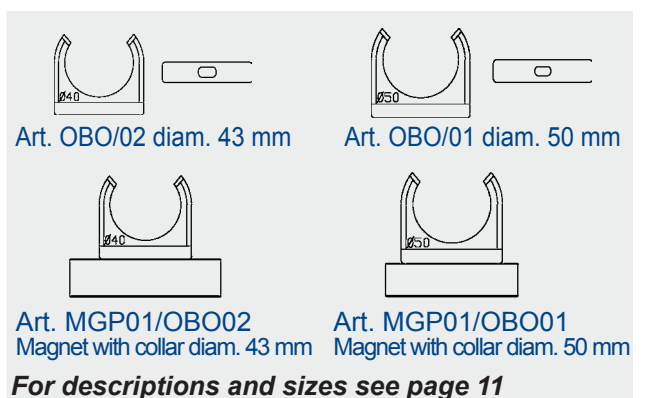
Item	Power W	Tens. V	Lumin. Fl. lm	Length. mm	Lamp type	Spiral Cable	Loose plug CEE 17 IP67
CPF1824S1S	18	24	1200	505	Dulux L	1 - 5 m	24V 16A 2P
CPF2424S1S	24	24	1800	675	Dulux L	1 - 5 m	24V 16A 2P
CPF3624S1S	36	24	2900	765	Dulux L	1 - 5 m	24V 16A 2P
CPF5524S1S	55	24	4800	885	Dulux L	1 - 5 m	24V 16A 2P
CPF1822SAS	18	230	1200	505	Dulux L	1 - 5 m	230V 16A 2P + E
CPF2422SAS	24	230	1800	675	Dulux L	1 - 5 m	230V 16A 2P + E
CPF3622SAS	36	230	2900	765	Dulux L	1 - 5 m	230V 16A 2P + E
CPF5522SAS	55	230	4800	885	Dulux L	1 - 5 m	230V 16A 2P + E

N.B.: Other voltages, lamp powers and connection types on request

LAMP SECTIONING



SUPPORTING BRACKETS



BALLAST IN INSULATED BOX SEPARATED FROM THE LAMP

Ballast in plastic insulated box with n. 2 wire-glands for ballast and lamp. Specify the series, the voltage, the item number of the lamp and if necessary the fixing brackets. Protection degree IP 44.



BALLAST IN WATERPROOF METHACRYLATE TUBE SEPARATED FROM THE LAMP

Ballast in waterproof tube diam. 70mm. or 60mm. in methacrylate with n. 2 wire-glands for ballast and lamp. Specify the series, the voltage, the item number of the lamp and if necessary the fixing brackets. Protection degree IP 67. N.B.: Fixing brackets incorporated in the cap only for 60mm. diameter.



BALLAST IN WATERPROOF BOROSILICATE GLASS TUBE SEPARATED FROM THE LAMP

Ballast in waterproof tube diam. 70mm. or 60mm. in borosilicate glass with n. 2 wire-glands for ballast and lamp. Specify the series, the voltage, the item number of the lamp and if necessary the fixing brackets. Protection degree IP 67. N.B.: Fixing brackets incorporated in the cap only for 60mm. diameter.



BALLAST IN WATERPROOF POLYCARBONATE TUBE SEPARATED FROM THE LAMP

Ballast in waterproof polycarbonate tube 50 mm. diameter with n. 2 wire-glands for ballast and lamp. Specify the series, the voltage, the item number of the lamp and if necessary the fixing brackets. Protection degree IP 67.



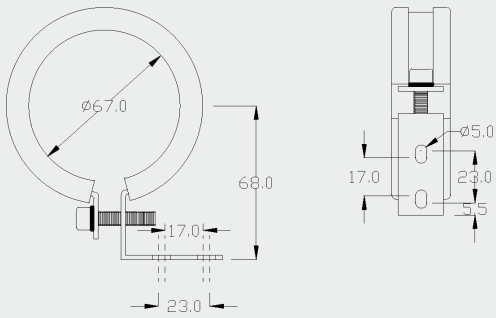
SPARE LAMPS

Item	Description	
LF007SE	Lamps Dulux SE	7W
LF009SE	Lamps Dulux SE	9W
LF011SE	Lamps Dulux SE	11W
LF018L	Lamps Dulux L	18W
LF024L	Lamps Dulux L	24W
LF036L	Lamps Dulux L	36W
LF055L	Lamps Dulux L	55W
LF018LN	Lamps Linear	18W
LF036LN	Lamps Linear	36W
LF058LN	Lamps Linear	58W
LF014FH	Lamps Linear FH	14W
LF021FH	Lamps Linear FH	21W
LF035FH	Lamps Linear FH	35W

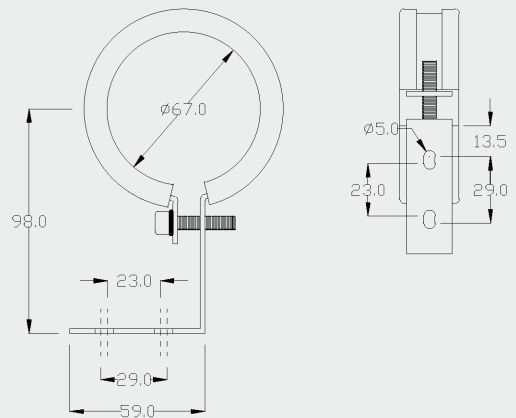


METAL SUPPORT BRACKETS FOR LAMPS Ø 70 mm

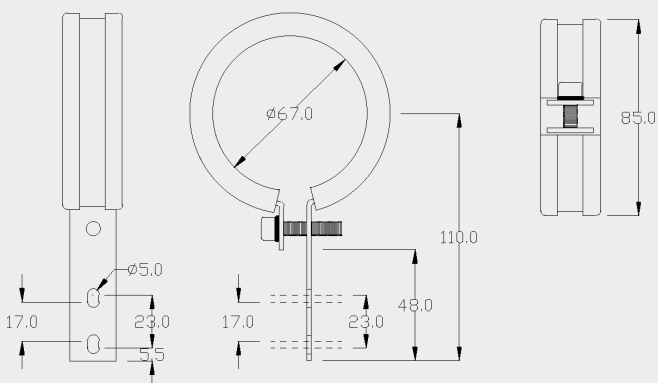
Fixing brackets for lamps diam. 70 mm. in galvanized steel equipped with stainless steel screw clamping device. The part that touches the lamp tube is covered by a rubber band, resistant to oils, industrial acids and solvents, and thanks to an elevated elasticity, it is able to cushion any vibrations generated by the machine on which the lamp is installed.



Art. STD1 (Angular short bracket ø 70 mm).



Art. STD2 (Angular long bracket ø 70 mm).

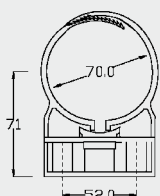


Art. STD3 (Straight bracket ø 70 mm).



NYLON SUPPORT BRACKETS AND COLLARS FOR LAMPS from Ø40 mm. to Ø70 mm

Fixing brackets for lamps diam.40/43/50/60 and 70mm. in polypropylene not producing halogens. Excellent chemical resistance against inorganic acids and alkaline solutions. Limited resistance against petrol, acetone, organic acids, benzol, diesel oil and the main oils. Temperature resistance from -40°C to +90°C.



**Art. CLC70 (nylon bracket
ø 68/70 mm)**



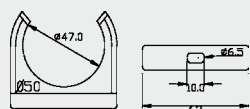
**Art. CLC60 (nylon bracket
ø 58/60 mm)**



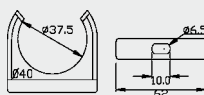
**Art. CLC50 (nylon bracket
ø 48/50 mm)**



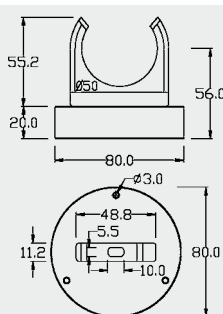
**Art. CLC43 (nylon bracket
ø 38/43 mm)**



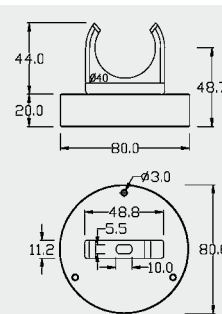
**Art. OBO/01 (PVC collar
for lamp ø 50 mm)**



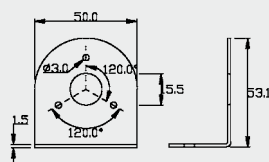
**Art. OBO/02 (PVC collar
for lamp ø 40 /43 mm)**



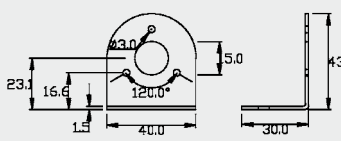
**Art. MGP01/OBO01
Magnet with PVC collar for
lamp ø 50 mm**



**Art. MGP01/OBO02
Magnet with PVC collar for
lamp ø 40/43 mm**



**(Metal
bracket to fix to the
lamp-cap ø 50 mm)**



**(Metal
bracket to fix to the
lamp-cap ø 40/43 mm)**



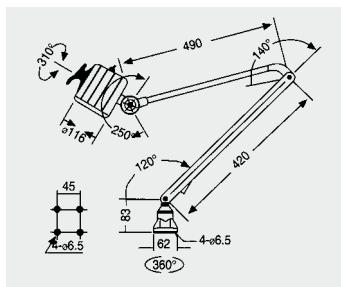
- Painted die-cast aluminium structure with a swinging upper handle. Waterproof front lock with screws to have access to the lamp.
- Halogen lamp with excellent luminous rendering and long endurance (2000 hour) connection PK22s power max 70W.
- Aluminium extruded and treated tube as load bearing segment
- Insulated swinging arms with adjustable waterproof clutch.
- Standard lamps with screw fixed base
- Special tempered shock-resistant glass
- Reflector in bright aluminium with wide beam
- Switch ON-OFF assembled back to the lamp.

IP 65 



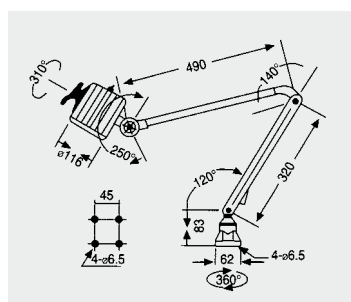
LAMP SERIES TRY			
Item	Power W	Tens. V	Length segments mm
TRH702428	70	24	910
*TRH552228	55	230/12	910

* Lamp powered by electronic transformer inside the arm



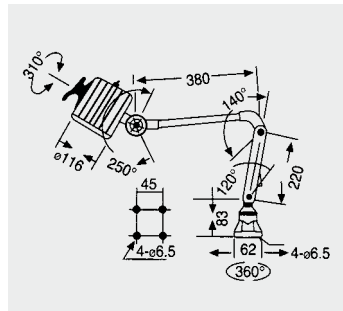
LAMP SERIES TRY			
Item	Power W	Tens. V	Length segments mm
TRH702427	70	24	810
*TRH552227	55	230/12	810

* Lamp powered by electronic transformer inside the arm



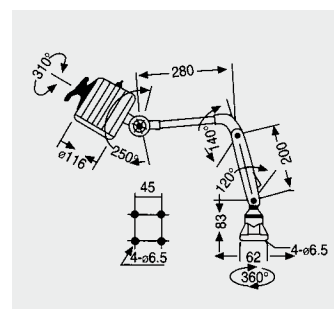
LAMP SERIES TRY			
Item	Power W	Tens. V	Length segments mm
TRH702426	70	24	600
*TRH552226	55	230/12	600

* Lamp powered by electronic transformer inside the arm

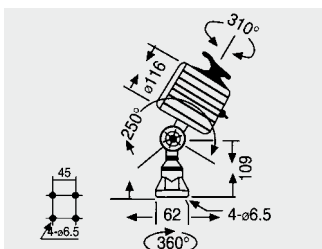


LAMP SERIES TRY			
Item	Power W	Tens. V	Length segments mm
TRH702425	70	24	480
*TRH552225	55	230/12	480

* Lamp powered by electronic transformer inside the arm



LAMP SERIES TRY SPOT			
Item	Power W	Tens. V	
TRH702400	70	24	
TRH551200	55	12	



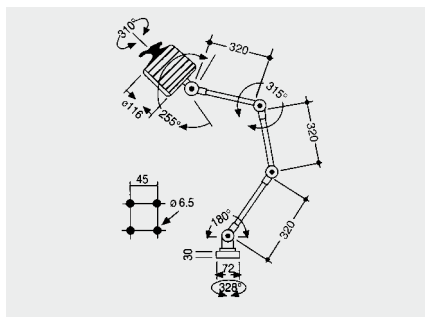
- Painted die-cast aluminium structure with a swinging upper handle. On the lamp-body there is a gap for a better heat-dissipation on which a front ring is screwed on with an o-ring to have access to the lamp
- Halogen lamp with excellent luminous rendering and long endurance (2000 hour) connection PK22s power max 70W.
- Aluminium extruded and treated tube as load bearing segment
- Metal swinging arms with adjustable waterproof clutch.
- Standard lamps with screw fixed base
- Special tempered shock-resistant glass
- Reflector in bright aluminium with wide beam
- Switch ON-OFF assembled on the handle.

IP 65 CE



LAMP SERIES ORY 3 SEGMENTS

Item	Power W	Tens. V	Length segments mm
ORH551233	55	12	960
ORH702433	70	24	960



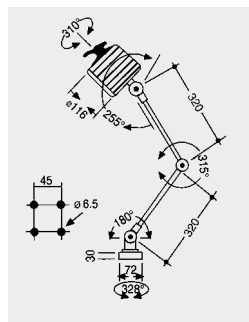
N.B.: On request the lamp is powered by 230V by external transformer art. TRE7/22/12

SERIES WITH LIMITED AVAILABILITY



LAMP SERIES ORY 2 SEGMENTS

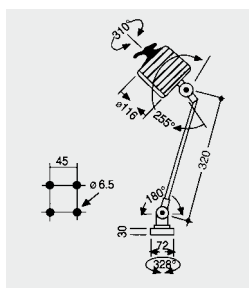
Item	Power W	Tens. V	Length segments mm
ORH551223	55	12	640
ORH702423	70	24	640



N.B.: On request the lamp is powered by 230V by external transformer art. TRE7/22/12

LAMP SERIES ORY 1 SEGMENT

Item	Power W	Tens. V	Length segments mm
ORH551213	55	12	320
ORH702413	70	24	320



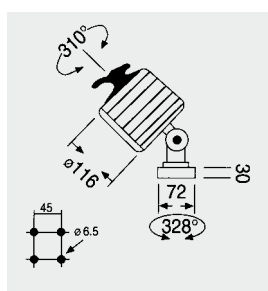
N.B.: On request the lamp is powered by 230V by external transformer art. TRE7/22/12



LAMP SERIES ORY SPOT

Item	Power W	Tens. V	
ORH551200	55	12	
ORH702400	70	24	


N.B.: On request the lamp is powered by 230V by external transformer art. TRE7/22/12



Series "FLOR"

Fluorescent Beamlights

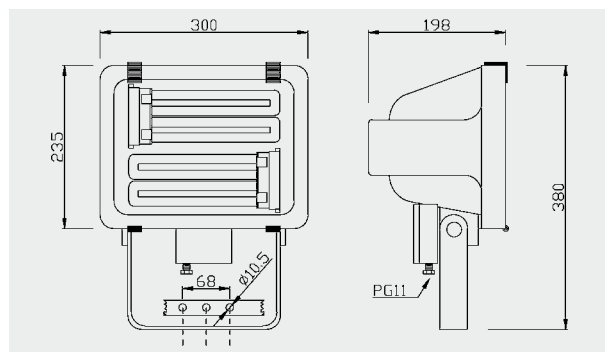
- Die-cast aluminium structure thickness 2mm.
- External finishing with black polyurethan resins
- Waterproof silicone rubber gaskets
- Schock-resistant tempered glass
- Reflector in bright and hammered aluminium
- Electronic ballast
- Other voltages and powers on request
- Fluorescent tubes type dulux Flat OSRAM

IP 55 



FLUORESCENT INDUSTRIAL BEAMLIGHT WITH ELECTRONIC BALLAST

Item	Power W	Tens. V	Lumin. Fl. lm	Lamp Type
FLF362400	36	24	2800	FLAT
FLF722400	72	24	5600	FLAT
FLF362200	36	230	2800	FLAT
FLF722200	72	230	5600	FLAT



N.B.: Other voltages and powers on request

Safety transformers

Item	Description
PR1U001D400	Transformer in a completely insulated self-extinguishing hard butyl rubber box. Maximum resistance against oils, acids, petrol and Industrial solvents and also an excellent resistance against anti-ageing. Strong mechanic resistance against impacts, traction, squashing and rough treatment. Power transformer 100VA Primary 230V secondary 24V. Fuse protection for primary and secondary. Net presence pilot lamp. Lamp input through wire-glands.



N.B.: On request it is possible to power the lamp through CEE plug on the transformer

Accessories and spare parts series **ORIENTAL**

Item	Description
ORGRM	Anti-glare grill for lamps series Oriental Try
MGP07	Magnet for lamps series Oriental



Item	Description
ORMV01	Terminal with screw clamp to fix the lamp
ORST01	Angular fixing bracket for lamp series Oriental.

Item	Description
TRM7/22/12	External mechanic transformer 230/12V for lamp series Oriental.
TRE7/22/12	External electronic transformer 230/12V for lamp series Oriental.
TRE7/22/12/TRY	Electronic transformer 230/12V for lamp series Oriental- Try for internal application to the lamp arm.



Item	Description
HALO70/24	Halogen bulb with high luminous rendering and long life (2000 h.) with plug PK22s 70W 24V
HALO55/12	Halogen bulb with high luminous rendering and long life (2000 h.) with plug PK22s 55W 12V
HALO35/12	Halogen bulb with high luminous rendering and long life (2000 h.) with plug PK22s 35W 12V



 **GIMAX** SRL

electro-industrial production and supply

Via dell'Arabescato, snc - Industrial Zone Portone
55045 Pietrasanta (Lu) - ITALY
Tel. +39 (0) 584 81742/3 - Fax +39 (0) 584-81744
<http://www.gimaxsrl.it> e-mail: info@gimaxsrl.it