

KD/KL 30

Capacitive sensor



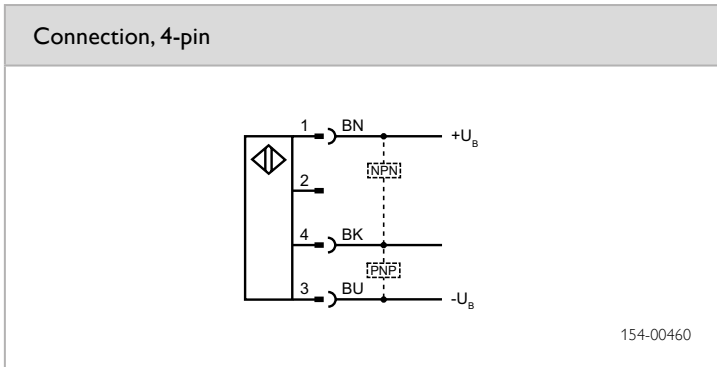
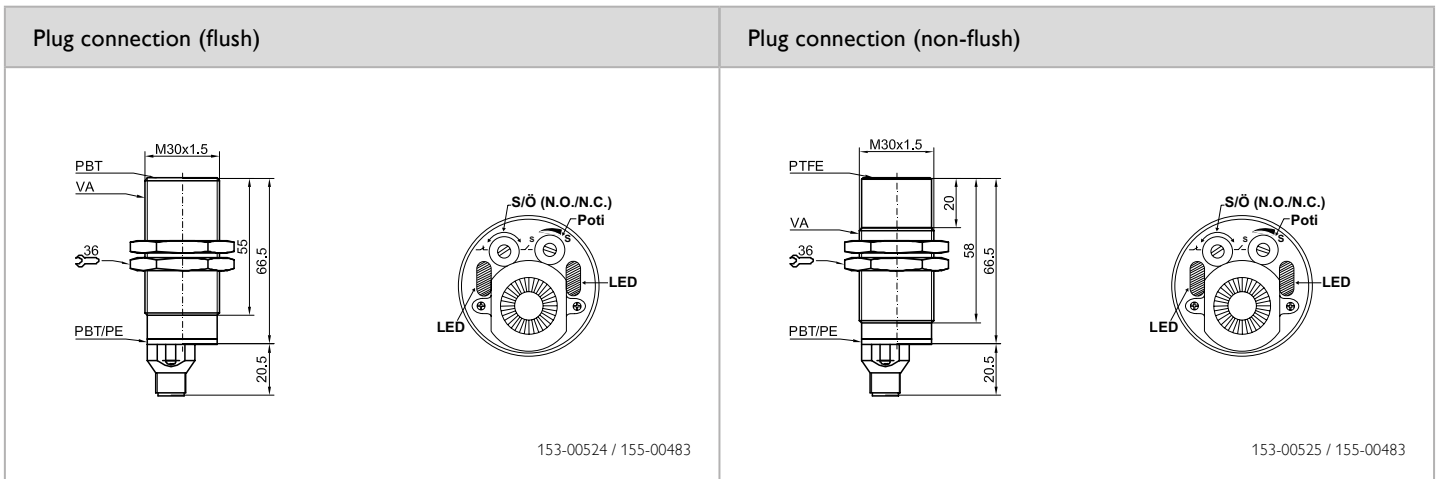
PRODUCT HIGHLIGHTS

- Robust stainless steel housings
- N.O. / N.C. switchable
- Switching distance adjustment via potentiometer
- Long switching distance

Sensor data		Functions	
Switching distance (flush)	1 ... 20 mm	Display LED, green	Operating voltage indicator
Switching distance (non-flush)	1 ... 30 mm	Indicator LED, yellow	Switching output indication
Hysteresis	15 % ¹	Sensitivity adjustment	Via potentiometer
Repeatability	5 % ¹	Adjustment possibilities	N.O. / N.C. via potentiometer
Temperature drift (flush)	10 % / °C ¹ [-5 ... 55 °C]	Default settings	Max. switching distance and N.O.
Temperature drift (non-flush)	15 % / °C ¹ [-5 ... 55 °C]		
Electrical data		Mechanical data	
Operating voltage, +U _B	10 ... 35 V DC	Dimensions	M30 × 87 mm
No-load current, I ₀	≤ 15 mA	Enclosure rating	IP 64
Output current, I _e	≤ 300 mA	Material, housing	Stainless steel VA
Protective circuits	Reverse polarity protection. U _B / short-circuit protection (Q) / overload protection	Material, front surface (flush)	PBT
Power On Delay	< 300 ms	Material, front surface (non-flush)	PTFE
Switching output, Q	PNP / NPN (see Selection Table)	Type of connection	See Selection Table
Output function	N.O. / N.C.	Ambient temperature: operation	-30 ... +70 °C
Switching frequency f (ti/tp 1:1)	100 Hz	Vibration and impact resistance	EN 60947-5-2

¹ Relating to switching distance

Switching distance	Installation	Switching output	Type of connection	Part number	Article number
1 ... 20 mm	Flush	PNP	Plug, M12x1, 4-pin	KD 30 B-PSOL4	681-50942
1 ... 20 mm	Flush	NPN	Plug, M12x1, 4-pin	KD 30 B-NSOL4	681-50944
1 ... 30 mm	Non-flush	PNP	Plug, M12x1, 4-pin	KL 30 NB-PSOL4	682-51034
1 ... 30 mm	Non-flush	NPN	Plug, M12x1, 4-pin	KL 30 NB-NSOL4	682-51036



Accessories	
Connection cables	From Page A-32
Brackets	From Page A-4