

B200STR Xenon Strobe Beacon

The B200 series is comprised of a Xenon strobe beacon, permanent filament bulb, blinking filament bulb and a permanent LED array beacon version.

The surface mount base can also be supplied with a right angle bracket or with a pole mounted assembly.

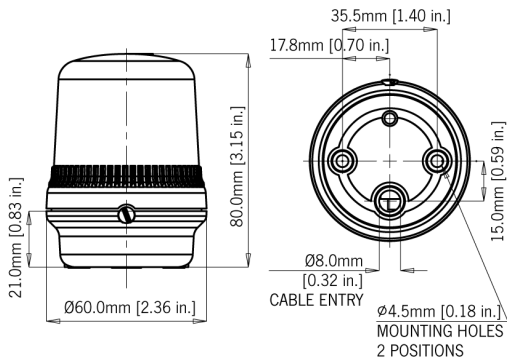
Features

- Bayonet fixing lens.
- Anti-tamper locking screw.
- Stainless steel fixings.

Approvals

- GOST-R certificate: POCC GB.JB05.H00144.





Specification

Light source:	Xenon Strobe
Energy:	1 Joule (1Ws)
Flash frequency:	0.75 Hz
Lens colours:	Amber, Blue, Clear, Green, Red & Yellow
Lens type:	Prismatic (standard) or plain
Peak Candela:	100,000 cd - calculated from energy (J)
Effective Intensity cd:	50 cd - calculated from energy (J)
Peak Candela:	59,155 cd* - measured ref. to I.E.S.
Effective Intensity cd:	37 cd* - measured ref. to I.E.S.
Mounting:	Surface mount (right angle or pole mount accessories available)
Ingress protection:	IP65
Housing material:	High impact UL94 V0 (f1) PC
Terminals:	0.5 to 1.5mm ²
Operating temp:	-25 to +50°C [-13° to +122 °F]
Storage temp:	-40 to +70°C [-40° to +158°F]
Relative humidity:	90% at 20°C [68°F]
Weight:	78g/1.71lbs

*Candela measurements representative of performance with clear lens at optimum voltage.

Part Codes

Version:	Part code:
10-30V dc/ac	1 Joule B2 00STR030B/[x]
115V ac	1 Joule B2 00STR115B/[x]
230V ac	1 Joule B2 00STR230B/[x]

[x] = Lens colour: A: Amber
B: Blue
C: Clear
G: Green
R: Red
Y: Yellow

Current Consumption

Version:	Current mA:
10-30V dc/ac	82 mA (24V dc) 145mA (24V ac)
115V ac	50/60Hz 30mA
230V ac	50/60Hz 20mA